



## WI-125 LED indicator

*Technical Specification*

### DESCRIPTION

#### General

Enclosed in a stainless steel NEMA 4X case, the WI-125 LED Indicator will serve you effectively in wet or dry environments. And its crisp, easy-reading LED display will speed any weighing process.

- Washdown safe
- Numeric keypad
- Easy operation
- Fast-reading LED display

#### Features and benefits

##### Six function keys

No confusing functions. Train operators in minutes.

##### LED display

Bright, crisp, fast-reading. Speeds weighing process and reduces operator error.

##### NEMA 4X washdown

Stainless steel enclosure provides corrosion and washdown resistance to rough indoor and outdoor use.

##### Numeric keypad

Makes tare entry more flexible. Enter known weights from the keypad, or use the TARE key to enter container weights.

#### RS-232 serial port

Provides link with printers and computers.

#### Remote key inputs

Logic level inputs for Zero, Print, Tare.

#### Print formatting

Customize your printout with company name, message, character size and location, etc. right from the front panel.

#### Heavy-duty swivel mounting stand

Adjust the display quickly to the best sight line.

#### RFI protection

Provides stable weight readings in environments with moderately high levels of RFI radiation.

#### Single channel accumulation

Prints each weighment individually, then provides count and total weight.

#### Options

- Time and date
- 8 Cutoffs (setpoints)
- Analog output (0-5v, 0-10v, 1-5mA, 4-20mA, 10-50mA)



## SPECIFICATIONS

### Electrical

#### Power

115 volts AC/230 volts AC, 50/60 Hz single phase

#### Excitation

10 VDC

### Display

#### Type

Eight .6-inch high LED digits with LED annunciators

#### Display rate

Configurable to 1, 2, or 5 times per second

#### Display averaging

One to ten display periods

A to D conversion rate: 60 times per second

### Resolution

#### Internal resolution

884,736 counts at 3 mV/V

294,912 counts at 1 mV/V

#### Increments

0.0001 to 20,000 programmable to any division size between these limits.

#### Analog range

-0.14 to +3.5 mV/V

### Interface

#### Controls

GROSS/NET, TARE, ZERO, PRINT, UNITS, MENU, Keypad (0-9)

#### Annunciators

Gross, net, center of zero, print, lb and kg

#### Load cells

Drives up to twelve 350-ohm Weigh Bars® or load cells

### Agencies

NTEP, CC#92-167A4 Class III/III L

Canadian Weights and Measures, #AM 4868

CSA

FCC Class A

UL/CUL

### Environment

-10 to 40° C (14 to 104° F)

10 to 90% relative humidity

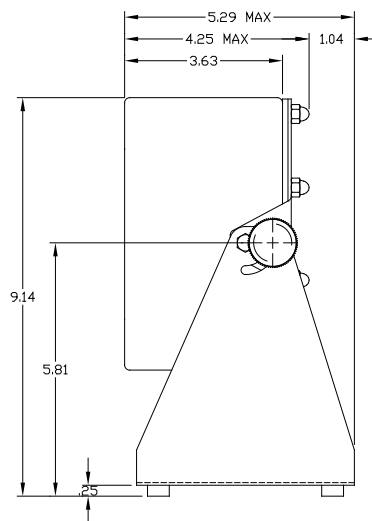
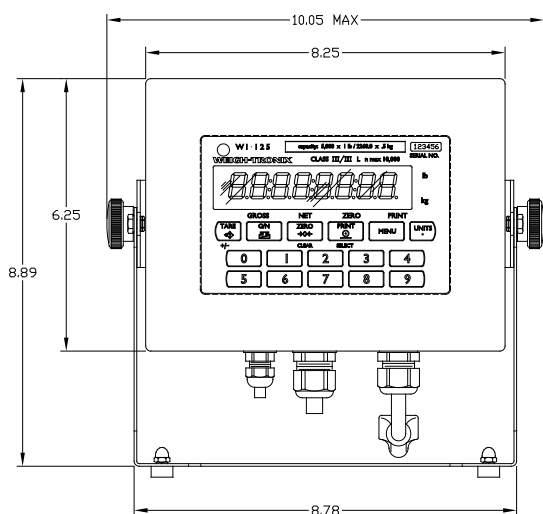
### Shipping weight

6.5 lb (2.9 kg)

### Dimensions

8.25"W x 6.25"H x 4.25"D (without mounting bracket)

10.05"W x 8.89"H x 5.29"D (with mounting bracket)



Weigh Bar® is a registered trademark of Avery Weigh-Tronix, LLC.

### Avery Weigh-Tronix - USA

1000 Armstrong Drive,  
Fairmont, MN 56031-1439 USA  
usinfo@awtxglobal.com  
Toll-Free: (800) 533-0456  
Phone: (507) 238-4461

### Avery Weigh-Tronix - UK

Foundry Lane, Smethwick,  
West Midlands B66 2LP UK  
info@awtxglobal.com  
Phone: +44 (0) 8453 66 77 88  
Fax: +44 (0) 121 224 8183

Please call us or visit [www.averyweigh-tronix.com](http://www.averyweigh-tronix.com)  
for your nearest Avery Weigh-Tronix distributor

# Avery Weigh-Tronix

